

ECM High Efficiency Motors

Elco Hi Efficiency ECM motors are drop in replacements of the traditional front mount shaded pole motors. They use all the same accessories with no extra work for an easy and hassle-free installation. These are built with ECM technology to run more efficiently, reduced CO2 emissions, longer life expectancy and quieter than the normal PSC shaded pole motors. They offer better airflow control than a PSC, up to 70%, 4 to 5 times more efficient than a regular shaded pole motor. Higher efficiency means cooler motor operation and reduced heat delivered to the refrigeration cycle, for a combined energy saving advantage and improved refrigeration quality. The ECM Series offers IP65 moisture protection grade, one of the highest in the industry. These motors are designed to satisfy the growing demands of energy savings.



Features:

- Life expectancy of 60,000+ hrs.
- Protection rating - IP65 moisture protection grade
- Totally enclosed
- All angle
- Continuous air over
- Long life sealed ball bearings

Specifications:

- Working temp: -40°C +55°C
- 50/60 Hz
- M4 Studs on 3.72" B.C. for shroud/guard
- UL recognized & CE Certified

Cross Reference:

EDA12153UC0147	Arneg Canada & US	34410013, 34410009, 24681010
EDA15253UC0176	Hill Phoenix	P078449H
EDA10153UC0182	Hill Phoenix	P079441C, P066237A

MARS NO.	MFG NO.	WATTS	HP	VOLTS	RPM	ROT. S.E	AMPS	A DIM	CORD LENGTH	TERM. PLUG
00851	EDA12153UC0147	12	1/63	115	1450	CCW	0.18	3.61	14"	3 Pin 90°
00852	EDA15253UC0176	15	1/50	115	1600	CCW	0.22	4.00	16"	2 Pin 90°
00858	EDA10153UC0182	10	1/75	115	1550	CCW	0.19	3.61	16"	2 Pin 90°

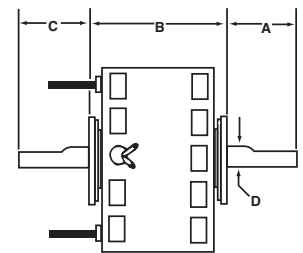
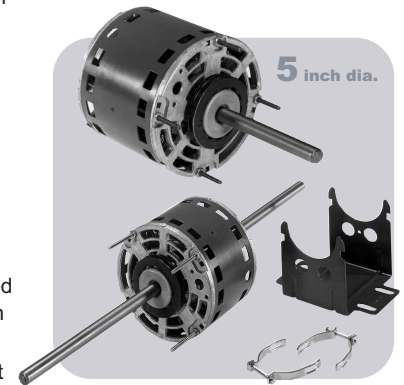
5KCP29 — Form G PSC Motors



Designed for virtually every fan and blower application.

Features:

- All angle sleeve bearings
- Open construction
- Aluminum end shields
- 26 inch color-coded leads
- 2-1/2 inch resilient ring mounting
- Double shaft models shipped with base mounted (3.5 inch shaft height)
- Extended thru bolts on shaft end—extended 3/4 inch on single shaft and 1-1/2 inch on double shaft motors (on 4.6 inch bolt circle)
- Energy Saver® design
- Motor reversing leads have terminals for quick change to opposite rotation
- For accessories see pages M-50 – M-54



Specifications:

- Single phase, 60 Hertz
- Automatic reset overload protection
- Fan duty, continuous, air over
- Advanced Class B insulation
- 5 Mfd @ 370V capacitor required (MARS No. 12005)

MARS NO.	GE NO. 5KCP29	HP	VOLTS	AMPS	ROT LE	RPM	DIMENSIONS			
							A	B	C	D
1075 RPM - Single Shaft - Three Speed - 6 Pole										
02840(1)	BG5866S	1/30	115	.61	REV	1075	8.00	6.00/4.50	—	1/2
02824	EG5854S	1/8	115	2.45	REV	1075	4.00	5.06	—	1/2
02825	KG5855S	1/5	115	3.51	REV	1075	4.00	5.56	—	1/2
02826	KG5856S	1/5	208-230	1.67	REV	1075	4.00	5.56	—	1/2
02827	LG5857S	1/4	115	4.78	REV	1075	4.00	5.81	—	1/2
02828	LG5858S	1/4	208-230	2.22	REV	1075	4.00	5.81	—	1/2
02829(2)	MG5859AS	1/3	115	5.8	REV	1075	4.00	5.81	—	1/2
1075 RPM - Double Shaft - Four Speed - 6 Pole										
02830	BG5860S	1/15	115	1.4	CCW	1075	8.00	4.67	8.00	1/2
02832	EG5862S	1/8	115	2.69	CCW	1075	8.00	5.17	8.00	1/2
02833	LG5863S	1/4	115	4.7	CCW	1075	8.00	6.45	8.00	1/2
02834	LG5864S	1/4	208-230	2.1	CCW	1075	8.00	6.17	8.00	1/2
02836	EG5868S	1/8	208-230	1.2	CCW	1075	8.00	5.17	8.00	1/2
1625 RPM - Double Shaft - Four Speed - 4 Pole										
02835	EG5867S	1/10	115	1.3	CCW	1625	8.00	5.17	8.00	1/2
02837	FG5869S	1/6	115	2.1	CCW	1625	8.00	5.42	8.00	1/2

(1) Model has resilient ring length adapter kit included in carton (2) 15mfd @370V capacitor required

“Cap-Can” Construction Vertical Shaft Down Condenser Fan And Heat Pump Motors

Ball Bearing

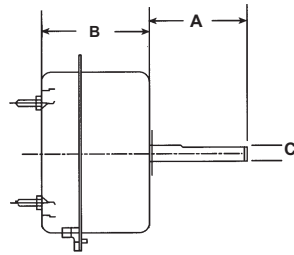
These new permanent split capacitor motors from GE are designed for use in residential outdoor condenser fan and heat pump units (primarily up to 3.5 tons), requiring vertical shaft down with stud or flange mounting.

Features:

- “Cap-Can” construction
- Automatic thermal overload protection
- #8-32 extended stud or flange mount
- Water slinger on shaft
- Vertical shaft down mounting orientation
- CW or CCW rotation in several ratings
- Designed for 370 volt capacitor (not furnished)
- Class B insulation
- For accessories see pages M-50 – M-54

Specifications:

- All models are single-speed
- 60 Hz
- 208-230 Volts
- 1/2” Shaft diameter
- 26” Leads
- Continuous duty, air-over



MARS NO.	GE NO.	HP	RPM	AMPS	ROT OSE	370V CAP REQUIRED	DIMENSIONS		
							A	B	C
02243	5KCP29DCA323S	1/10	1100	0.74	CW	5 MFD	2.75	3.35	1/2"
02244	5KCP29JCA324S	1/4	1075	1.7	CW	7.5 MFD	2.75	3.85	1/2"
02245	5KCP29JCA325S	1/4	1075	1.7	CCW	7.5 MFD	2.75	3.85	1/2"
02246	5KCP29HCA326S	1/5	1060	1.6	CW	5 MFD	2.75	3.85	1/2"
02247	5KCP29JCA327S	1/6	1100	1.3	CCW	5 MFD	2.75	3.85	1/2"
02248	5KCP29ECA328S	1/8	1075	0.86	CW	5 MFD	2.75	3.85	1/2"
02249	5KCP29DCA329S	1/8	1075	0.75	CCW	5 MFD	2.75	3.35	1/2"

SOS™ Multi-Horsepower Direct Drive Blower Motors



MARS SOS™ multi-horsepower direct drive blower motors are ideal for truck stock. Four models cover both 115 volt and 208-230 volt applications from 1/6 through 3/4 HP.

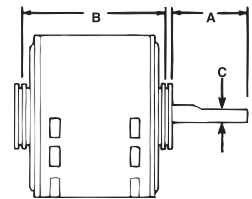
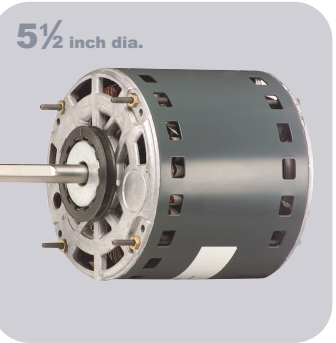
All SOS™ motors feature easy mounting in Rheem applications.

Features:

- Multi-HP
- Open end shields
- Extended mounting studs
- 2-1/2 inch resilient rings
- Reversible rotation
- All angle sleeve or ball bearings
- Capacitor requirement noted on motor label
- For accessories see pages M-50 – M-54

Specifications:

- Single phase, 60 Hz
- Overload protection
- Fan duty, continuous air over
- Open construction



Cross Reference:

MARS No.	A.O. SMITH	EMERSON
03463	FDL6001	5460
03464	FD6000	5461
03466	FDL6002	5470
03467	FD6001	5471

1075 RPM Multi-Horsepower Reversible Rotation – 6 Pole

MARS NO.	GE NO. 5KCP39	HP	VOLTS	AMPS	DIMENSIONS		
					A	B	C
03463	KGV804AS	1/2, 1/3, 1/4, 1/5, 1/6	115	6.2	5.00	4.73	1/2
03464	KGV805AS	1/2, 1/3, 1/4, 1/5, 1/6	208-230	2.7	5.00	4.73	1/2
03466*	SGU363AS	3/4, 1/2, 1/3, 1/4, 1/5	115	8.4	5.00	5.98	1/2
03467*	SGU364AS	3/4, 1/2, 1/3, 1/4, 1/5	208-230	4.2	5.00	5.23	1/2

* Ball Bearing

SOS™ Multi-Horsepower Outdoor Condenser Fan Motors

Ball Bearing

MARS SOS™ multi-horsepower condenser fan motors are ideal for truck stock. Three 1075 RPM models cover 208-230 volt applications from 1/6 to 1/2 HP. New Slim Stack™ #03458, **WIZARD**, and the new **WIZARD 825** fit in many 1/3 HP installations that will not accept other manufacturer's motors. The 03458 is a single speed "wide-range" motor that will run at any fan load from 1/6 to 1/3 HP at a nominal 1075 RPM. MARS #03459, the new **WIZARD 825**, will run at any fan load from 1/8 to 1/3 HP at a nominal 825 RPM. All SOS™ motors feature easy mounting in Rheem applications.

Features:

- Multi-HP
- Thru bolt or band mounting
- Rheem mounting capability
- Water slinger on shaft
- Air conditioning or heat pump duty
- Capacitor requirement noted on motor label
- End Shield drain holes w/plugs

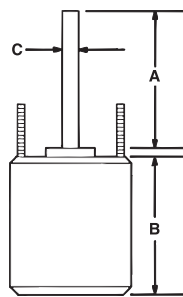
Specifications:

- Single phase, 60 Hz
- Overload protection
- Fan duty, continuous air over
- Totally enclosed, Non-ventilated
- Class B insulation

Multi-Horsepower, Reversible Rotation

MARS NO.	GE NO. 5KCP39	HP	VOLTS	AMPS	DIMENSIONS		
					A	B	C
1075 RPM - 6 Pole							
Wizard 03458	JGU530S	1/3, 1/4, 1/5, 1/6	208-230	2.8	6.75	4.48	1/2
Wizard 03458HS*	LGU7215	1/3, 1/4, 1/5, 1/6	208-230	2.6	6.50	5.23	1/2
Wizard 03460*	RGU709S	1/2, 1/3, 1/4, 1/5, 1/6	208-230	3.0	6.75	4.48	1/2
03465*	LGU735S	1/3, 1/4, 1/5, 1/6	208-230	2.5	5.00	4.73	1/2
03468*	RGU733S	1/2, 1/3, 1/4, 1/5	208-230	3.1	5.00	5.48	1/2
825 RPM - 8 Pole							
Wizard 825 03459*	NFBA87S	1/3, 1/4, 1/5, 1/6, 1/8	208-230	1.8	6.50	5.48	1/2
Wizard 825 03461*	TFBA86S	1/2, 1/3, 1/4, 1/5, 1/6	208-230	2.8	6.50	6.48	1/2
03469*	SGU732S	1/3, 1/4, 1/5, 1/6	208-230	2.0	6.50	5.98	1/2

* Heat Shield

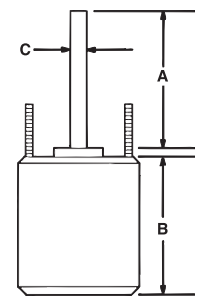


* Heat Shield

Cross Reference:

MARS No.	A.O. SMITH	EMERSON
03458	ORM5458	5458
03459	ORM5488B	5464
03465	FSE6000, FE6000	5462
03468	FE6002	5465
03469	FE6001	5464

All Angle And Shaft Up Outdoor Condenser Fan Motors



GE outdoor condenser fan motors are available for vertical shaft-up or vertical shaft-down applications. Vertical shaft-up models are also suitable for horizontal mounting. Add MARS No. 08105 resilient rings to base mount. All are electrically reversible and have full six inch shaft lengths. Models are available with sleeve or ball bearings, single or two speed in high efficiency or standard efficiency ratings.

Features:

- Reversible rotation
- Thru bolt or band mounting
- Water slinger on shaft
- Serrated end caps on vertical shaft-up models
- Full six inch shaft length
- For accessories see pages M-50 – M-54
- 6" shaft extension with 2 flats 90° apart

Specifications:

- Class "B" insulation
- Single phase, 60/50 Hertz
- Automatic thermal overload protected
- Fan duty, continuous, air over
- 26 inch leads

1075 RPM – Reversible Rotation – Energy Saver® – 6 Pole

MARS NO.	GE NO. 5KCP39	HP	VOLTS	AMPS	RPM (2)	CAP REQ.	DIMENSIONS		
							A	B	C
03227(3)	EGG401T	1/6	208-230	1.0	1075	5/370	6.0	4.00	1/2
03228(3)	HGG402T	1/4	208-230	1.6	1075	5/370	6.0	4.50	1/2
03229(3)	MGG403T	1/3	208-230	2.4	1075	7.5/370	6.0	5.00	1/2
03230(3)	PGG404T	1/2	208-230	3.8	1075	10/370	6.0	5.50	1/2

Two Speed - Sleeve Bearings - Vertical Shaft Up/Down - 6 Pole									
03227(3)	EGG401T	1/6	208-230	1.0	1075	5/370	6.0	4.00	1/2
03228(3)	HGG402T	1/4	208-230	1.6	1075	5/370	6.0	4.50	1/2
03229(3)	MGG403T	1/3	208-230	2.4	1075	7.5/370	6.0	5.00	1/2
03230(3)	PGG404T	1/2	208-230	3.8	1075	10/370	6.0	5.50	1/2

Shaft-Up - Two Speed - Sleeve Bearings - 6 Pole									
03027(1)	DGA768T	1/6	208-230	0.9	1075	5/370	6.0	3.75	1/2
03028(1)	GGA769T	1/4	208-230	1.5	1075	5/370	6.0	4.25	1/2
03029(1)	LGA770T	1/3	208-230	2.1	1075	7.5/370	6.0	5.00	1/2
03030(1)	NGS429S	1/2	208-230	3.2	1075	10/370	6.0	5.50	1/2

Shaft-Up - Two Speed - Ball Bearings - 6 Pole									
03031(1)	LGC003T	1/3	208-230	2.1	1075	7.5/370	6.0	4.98	1/2
03032(1)	NGL785S	1/2	208-230	3.2	1075	10/370	6.0	5.48	1/2
03048(1)	NGL762S	3/4	208-230	3.9	1075	15/370	6.0	5.48	1/2

(1) Lead-end endshield open construction

(2) Low speed approximately 300 RPM less than high speed depending on fan load

(3) 60 Hz operation only

Vertical Outdoor Condenser Fan Motors Shaft-Up/Down

Ball Bearing

GE up/down outdoor condenser fan motors are designed for either vertical shaft-up or shaft-down applications. Shell and end shields are enclosed for weather protection. A weep hole is provided in each end shield to allow condensate to drain. A plastic plug is provided to seal the weep hole in the end shield exposed to the weather. All of these motors are suitable for air conditioning or heat pump applications. All feature reversible rotation, 208-230 volts, six inch shaft length and extended thru bolts extending from both ends.

Features:

- Thru bolt or band mounting
- All angle mounting
- Water slinger on shaft
- Serrated end cap on shaft end only
- For air conditioning or heat pumps
- Full six inch shaft length with two full flats at 90°
- Reversible rotation
- For accessories see pages M-50 – M-54
- Rheem mtg. holes (mtg. hardware included)

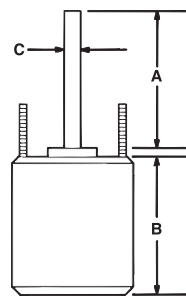
Specifications:

- 60 Hertz
- Single phase
- Overload protected
- Fan duty, continuous, air over
- 48 inch leads
- Totally enclosed, non-ventilated
- Class B insulation

Reversible Rotation

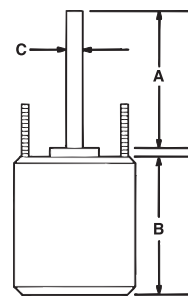
MARS NO.	GE NO. 5KCP39	HP	VOLTS	AMPS	RPM (1)	CAP REQ.	DIMENSIONS		
							A	B	C
825 RPM - Single Speed - Standard Efficiency - 8 Pole									
03201(3)	EGL248S	1/10	208-230	0.80	825	5/370	6.0	4.30	1/2
03202*	DFBA81S	1/8	208-230	0.85	825	5/370	6.0	4.30	1/2
03203*	HFBA79S	1/6	208-230	0.90	825	5/370	6.0	4.30	1/2
03204*	JFBA83	1/4	208-230	1.3	825	7.5/370	6.0	5.03	1/2
03205*	NFBA82S	1/3	208-230	1.8	825	10/370	6.0	5.80	1/2
1075 RPM - Single Speed - Standard Efficiency - 6 Pole									
03726 *	HGU722S	1/6	208-230	1.0	1075	5/370	6.5	3.98	1/2
03732(2) *	GGU714S	1/4	208-230	1.7	1075	5/370	6.0	4.23	1/2
03733(2) *	LGU715S	1/3	208-230	2.6	1075	7.5/370	6.0	4.48	1/2
03734(2) *	RGU718S	1/2	208-230	3.0	1075	10/370	6.0	5.23	1/2
03735(2) *	SGU717S	3/4	208-230	4.1	1075	10/370	6.0	5.98	1/2

(1) Low speed approximately 300 RPM less than high speed depending on fan load
 (2) Both end shields flat, no serrated end cap (3) 26" leads



* Heat Shield

Vertical Outdoor Condenser Fan Motors Shaft-Up/Down



* Heat Shield

GE up/down outdoor condenser fan motors are designed for either vertical shaft-up or shaft-down applications. Shell and end shields are enclosed for weather protection. A weep hole is provided in each end shield to allow condensate to drain. A plastic plug is provided to seal the weep hole in the end shield exposed to the weather. All of these motors are suitable for air conditioning or heat pump applications. All feature reversible rotation, 208-230 volts, six inch shaft length and extended thru bolts extending from both ends.

Specifications:

- 60 Hertz
- Single phase
- Overload protected
- Fan duty, continuous, air over
- 26 inch leads
- Totally enclosed, non-ventilated
- Class B insulation

Features:

- Up/down design
- Thru bolt or band mounting
- All angle sleeve bearings
- Water slinger on shaft
- Serrated end cap on shaft end only
- For air conditioning or heat pumps
- Full six inch shaft length with two full flats at 90°
- Reversible rotation
- 48 inch leads
- For accessories see pages M-50 – M-54

Reversible Rotation

MARS NO.	GE NO. 5KCP39	HP	VOLTS	AMPS	RPM	CAP REQ.	DIMENSIONS		
							A	B	C
825 RPM - Single Speed - 8 Pole									
03404*	JFAD07S	1/4	208-230	1.3	825	7.5/370	6.0	5.23	1/2
03405*	NFAD09S	1/3	208-230	1.8	825	10/370	6.0	5.73	1/2
1075 RPM - Single Speed - Standard Efficiency - 6 Pole									
03727	DGS375S	1/6	208-230	1.0	1075	5/370	6.0	4.71	1/2
03727HS*	DGY797S	1/6	208-230	1.0	1075	5/370	6.0	4.71	1/2
03728	FGM599S	1/4	208-230	1.8	1075	5/370	6.0	4.25	1/2
03728HS*	GGY769S	1/4	208-230	1.7	1075	5/370	6.0	4.25	1/2
03729	LGS407S	1/3	208-230	2.3	1075	7.5/370	6.0	5.70	1/2
03729HS*	LGY801S	1/3	208-230	2.6	1075	7.5/370	6.0	5.70	1/2
03730	PGS618S	1/2	208-230	3.5	1075	10/370	6.0	6.50	1/2
03730HS*	RGY799S	1/2	208-230	3.0	1075	10/370	6.0	6.50	1/2
03731	SGT039S	3/4	208-230	4.7	1075	10/370	6.0	5.75	1/2
03731HS*	SGY805S	3/4	208-230	4.1	1075	10/370	6.0	5.75	1/2

Shaft-Up Outdoor Condenser Fan Motors



GE outdoor condenser fan motors for vertical shaft-up applications are also suitable for horizontal mounting. GE vertical shaft-up outdoor condenser fan motors are designed for 60°C ambient temperature. Add MARS No. 08105 resilient rings to base mount.

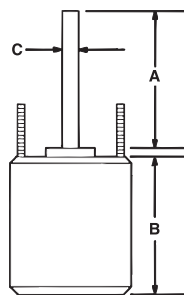
GE commercial 460 volt outdoor condenser fan motors are designed for 70° C ambient so lower operating temperatures = improved life and reliability.

Features:

- Reversible rotation
- Thru bolt or band mounting
- Water slinger on shaft
- Serrated end caps on vertical shaft-up models
- Full six inch shaft length
- For accessories see pages M-50 – M-54

Specifications:

- Class B insulation
- Single phase, 60/50 Hertz
- Automatic thermal overload protected
- Fan duty, continuous, air over
- 26 inch leads shaft-up, 46 inch leads all angle
- Lead end endshield open construction



* Heat Shield

Reversible Rotation

MARS NO.	GE NO. 5KCP39	HP	VOLTS	AMPS	RPM ⁽¹⁾	CAP REQ.	DIMENSIONS		
							A	B	C

1075 RPM - Shaft-Up - Single Speed - Sleeve Bearings - Standard Efficiency - 6 Pole

03327 ⁽¹⁾	DGP081S	1/6	208-230	0.9	1075	5/370	6.0	4.56	1/2
03328 ⁽¹⁾⁽³⁾	EGP697S	1/4	208-230	1.8	1075	5/370	6.0	5.06	1/2
03329 ⁽¹⁾⁽³⁾	HGP698S	1/3	208-230	2.4	1075	7.5/370	6.0	5.31	1/2
03330 ⁽¹⁾⁽³⁾	MGK209S	1/2	208-230	3.6	1075	10/370	6.0	6.60	1/2
03331 ⁽¹⁾⁽³⁾	PFM210S	3/4	208-230	5.1	1075	10/370	6.0	6.06	1/2

825 RPM - Shaft-Up - Single Speed - Ball Bearings - Energy Saver[®] - 8 Pole

03040	MGL789S	1/4	208-230	1.5	825	7.5/370	6.0	4.48	1/2
03026	NFBA66S	1/3	208-230	2.2	825	10/370	6.0	5.98	1/2

1075 RPM - 460V - Single Speed - All Angle Ball Bearing - 6 Pole

03736 ^{(1)(4)*}	HGU722S	1/4	460	.7	1075	7.5/370	6.0	4.30	1/2
03737 ^{(1)(4)*}	NGU724S	1/3	460	1.2	1075	7.5/370	6.0	5.30	1/2
03738 ^{(1)(4)*}	RGU723S	1/2	460	1.7	1075	10/370	6.0	5.80	1/2
03739 ^{(1)(4)*}	SGU725S	3/4	460	2.0	1075	15/370	6.0	6.50	1/2

(1) 60 Hertz only (2) Two full flats at 90° (3) Class A Insulation (4) Rheem shell mtg. holes

460 Volt Outdoor Condenser Fan Motors



Ball Bearing

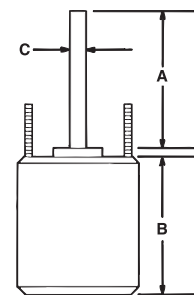
GE outdoor condenser fan motors are available for vertical shaft-up or vertical shaft-down applications. Vertical shaft-up models are also suitable for horizontal mounting. Add MARS No. 08105 resilient rings to base mount.

Features:

- Reversible rotation
- Thru bolt or band mounting
- Water slinger on shaft
- Serrated end caps on vertical shaft-up models only
- Full 6 inch double flat shaft
- For accessories see pages M-50 – M-54

Specifications:

- Class "B" insulation
- Single phase, 60/50 HZ
- Automatic thermal overload protected
- Fan duty, continuous air over
- 26 inch leads



Cross Reference:

MARS NO.	A.O. SMITH	Emerson	GE Stock No.
03039	786	-	3035
03209	-	1881	3209
03743	-	1882	3740

825 RPM - Reversible Rotation - Standard Efficiency

MARS NO.	GE NO. 5KCP39	HP	VOLTS	AMPS	RPM ⁽¹⁾	CAP REQ.	DIMENSIONS		
							A	B	C

Shaft-Up Or Horizontal Mount

03039	NFBA73S	1/3	460	1.10	825	10/370	6.0	6.38	1/2
-------	---------	-----	-----	------	-----	--------	-----	------	-----

All Angle

03209	NFBA76S	1/3	460	1.10	825	7.5/370	6.0	5.71	1/2
03743	TFBA85S	1/2	460	1.80	825	10/370	6.0	6.71	1/2

5KCP39 PSC 460 Volt Motors

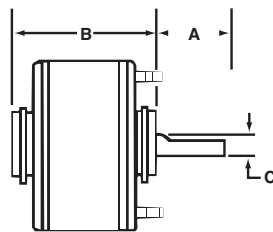
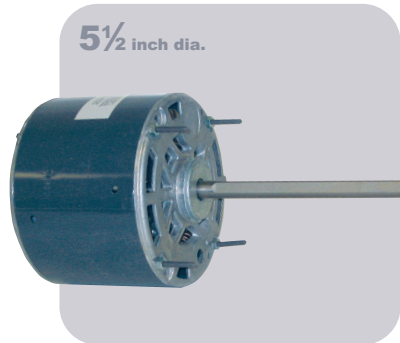
Ball Bearing

Features:

- Energy Saver®
- For use in air moving applications
- 460 volt, 2-speed
- All angle
- Extended thru bolts
- Capacitor included
- 08105 for cradle mount, serrated end caps
- For accessories see pages M-50 – M-54

Specifications:

- Single phase, 60/50 Hz
- Overload protection
- Fan duty, continuous, air over
- Enclosed shell, open end shields
- 26 inch leads
- Class A insulation



5KCP39 Permanent Split Capacitor Motors

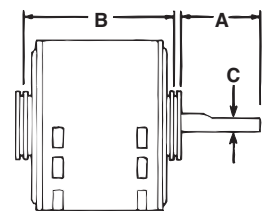


Features:

- Energy Saver®
- For use in air moving applications
- Single speed
- All angle sleeve bearings
- 2-1/4 inch resilient rings
- 4.0 inch long, 1/2 inch diameter shaft
- For accessories see pages M-50 – M-54

Specifications:

- Single phase, 60/50 Hertz
- Overload protection
- Open construction
- Fan duty, continuous, air over
- 26 inch leads
- Class A insulation



1075 RPM – Reversible Rotation - 6 Pole

MARS NO.	GE NO. 5KCP39	HP	VOLTS	AMPS	CAP. (FURNISHED)	DIMENSIONS			BASE NO.
						A	B	C	
03280	KGC519ET	1/3	460	1.1	7.5/370	6.0	5.56	1/2	08058
03290	PGC520ET	3/4	460	2.1	15/370	6.0	6.31	1/2	08060

1625 RPM – Reversible Rotation - 4 Pole

MARS NO.	GE NO. 5KCP39	HP	VOLTS	AMPS	CAP. (FURNISHED)	DIMENSIONS			BASE NO.
						A	B	C	
03470	GGC521ET	1/4	460	0.8	5/370	6.0	5.31	1/2	08057
03490	NGC522ES	1/2	460	1.7	7.5/370	6.0	6.31	1/2	08060

1075 RPM - 6 Pole

MARS NO.	GE NO. 5KCP39	HP	VOLTS	AMPS	ROT OSE	CAP. REQ.	DIMENSIONS		BASE NO.
							A	B	
03251	DG3304T	1/6	115	2.3	CCW ⁽¹⁾	5/370	4.0	4.23/4.39	08053
03252	CG3306T	1/6	208-230	0.9	CCW ⁽¹⁾	5/370	4.0	4.23/4.39	08053
03272 ⁽²⁾	EG3314T	1/4	208-230	1.5	CCW	5/370	4.0	4.48/4.64	08054
03281 ⁽²⁾	KG3316T	1/3	115	5.0	CCW	5/370	4.0	4.98/5.14	08056
03282 ⁽²⁾	JG3318T	1/3	208-230	2.4	CCW	5/370	4.0	4.98/5.14	08056
03292	NGD123T	1/2	208-230	3.4	CCW	7.5/370	4.0	5.73/5.89	—

(1) Mechanically reversible (2) Class B insulation

1625 RPM - 4 Pole

MARS NO.	GE NO. 5KCP39	HP	VOLTS	AMPS	ROT OSE	CAP. REQ.	DIMENSIONS		BASE NO.
							A	B	
03452	CG3326ES	1/6	208-230	.9	CCW	5/370	4.0	4.23/4.39	08053
03472	DG3334ES	1/4	208-230	1.4	CCW	5/370	4.0	4.73/4.89	08055
03482	GG3338ES	1/3	208-230	2.2	CCW	5/370	4.0	4.98/5.14	08056

PSC Furnace Blower Motors



These GE 5KCP39 PSC motors are designed for use as direct drive furnace blower motors. All are three speed, high efficiency, Energy Saver® models and are electrically reversible. Motors have 2-1/4 inch resilient rings for base mounting. Four (4) split rings included if 2-1/2 inch diameter is required. Bases are sold separately.

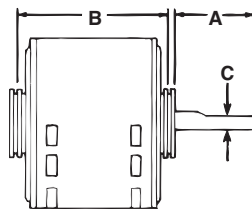


Features:

- All angle sleeve bearings
- 3 speeds
- 1/2 inch extended thru bolts
- Ring kit allows 2-1/4 inch & 2-1/2 inch resilient ring mounting
- Reversible rotation
- 4 inch long, 1/2 inch diameter shaft
- For accessories see pages M-50 – M-54

Specifications:

- Single phase, 60/50 Hertz
- Overload protection
- Fan duty, continuous, air over
- Open construction
- 26 inch leads
- Class B insulation



Reversible Rotation — Energy Saver®

MARS NO.	GE NO. 5KCP39	HP	VOLTS	AMPS	CAP. REQ.	DIMENSIONS			BASE NO.
						A	B	C	
1075 RPM⁽¹⁾ — Three Speed - 6 Pole									
03983 ⁽²⁾	GG9708T	1/4	115	3.7	7.5/370	4.0	5.39/5.23	1/2	08057
03984	FG9478T	1/4	208-230	1.7	5/370	4.0	5.39/5.23	1/2	08057
03985 ⁽²⁾	LG9683T	1/3	115	4.9	7.5/370	4.0	5.39/5.23	1/2	08057
03986	JG9479T	1/3	208-230	2.5	5/370	4.0	5.39/5.23	1/2	08057
03987	PG9710T	1/2	115	7.3	10/370	4.0	5.89/5.73	1/2	NA
03988	NG9709T	1/2	208-230	3.5	7.5/370	4.0	5.89/5.73	1/2	NA
03989 ⁽²⁾	PGE413T	3/4	115	9.1	15/370	4.0	5.89/5.73	1/2	NA
03990 ⁽²⁾	PGE414T	3/4	208-230	4.4	10/370	4.0	5.89/5.73	1/2	NA

1625 RPM⁽¹⁾ — Three Speed - 4 Pole

03992	FGE211T	1/4	115	2.7	10/370	4.0	4.89	1/2	08055
03993	FGE212T	1/4	208-230	1.2	5/370	4.0	4.89	1/2	08055
03994	HGE213T	1/3	115	3.9	15/370	4.0	5.39	1/2	08057
03996	MGE215T	1/2	115	6.0	15/370	4.0	5.64	1/2	08058
03997	LGE216T	1/2	208-230	2.8	7.5/370	4.0	5.64	1/2	08058
03998	PGE415T	3/4	115	8.5	15/370	4.0	6.14	1/2	08060
03999	PGE416T	3/4	208-230	4.0	7.5/370	4.0	6.14	1/2	08060

1075 RPM — Reversible Rotation - Standard Efficiency - 6

MARS NO.	GE NO. 5KCP39	HP	VOLTS	AMPS	CAP. REQ.	DIMENSIONS			BASE NO.
						A	B	C	
Three Speed⁽¹⁾									
03583 ⁽²⁾	FGN651T	1/4	115	4.2	5/370	4.0	4.89	1/2	08055
03584 ⁽²⁾	FGN652T	1/4	208-230	2.0	5/370	4.0	4.89	1/2	08055
03585 ⁽²⁾	JGN653T	1/3	115	6.2	5/370	4.0	5.14	1/2	08056
03586 ⁽²⁾	JGN654T	1/3	208-230	2.9	5/370	4.0	5.14	1/2	08056
03587 ⁽²⁾	PGN655T	1/2	115	9.0	5/370	4.0	6.14	1/2	08060
03588 ⁽²⁾	NGN656T	1/2	208-230	4.3	5/370	4.0	5.89	1/2	NA
03589 ⁽²⁾	PGN657T	3/4	115	10.3	15/370	4.0	6.14	1/2	08060
03590 ⁽²⁾	PGN658T	3/4	208-230	4.6	10/370	4.0	6.14	1/2	08060
03595 ⁽²⁾	SGL854S	1	115	11.8	20/370	4.0	6.90	1/2	08060
03596 ⁽²⁾	SGL853S	1	208-230	5.59	15/370	4.0	6.90	1/2	08060

Two Speed⁽³⁾

03383 ⁽²⁾	FGM421S	1/4	115	4.2	5/370	4.0	4.89	1/2	08055
03384	FGM433S	1/4	208-230	2.0	5/370	4.0	4.89	1/2	08055
03385 ⁽²⁾	JGM439S	1/3	115	6.2	5/370	4.0	5.14	1/2	08056
03386	JGM440S	1/3	208-230	2.9	5/370	4.0	5.14	1/2	08056
03387	PGM438S	1/2	115	9.0	5/370	4.0	6.14	1/2	08060
03388	NGM437S	1/2	208-230	4.3	5/370	4.0	5.89	1/2	NA
03389	PGN091T	3/4	115	10.3	15/370	4.0	6.14	1/2	08060
03390	PGN092T	3/4	208-230	4.4	10/370	4.0	6.14	1/2	08060

(1) Approximately 150RPM differential between speeds depending on fan load (2) 60 Hz only (3) Approximately 300RPM differential between speeds depending on fan load

5KCP39 PSC Torsion Flex Mount Motors



GE torsion-flex mount motors are designed for direct drive furnace blower applications. The unique torsion-flex mounting speeds installation while the special torsion-flex mounting speeds installation while the special steel of the torsion-flex bracket absorbs vibration for quieter operation. All models are electrically reversible, 3-speed motors of high efficiency Energy Saver® design.

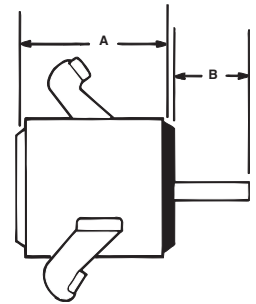


Features:

- Energy Saver®
- All angle sleeve bearings
- 3-Speed 1075/925/775 RPM(1)
- Torsion-flex mounting, grommets and sleeves included
- 5.0 inch long, 1/2 inch diameter shaft
- Reversible rotation

Specifications:

- Class A insulation
- Single phase, 60/50 Hertz
- Overload protection
- Fan duty, continuous, air over
- Open construction
- 26 inch leads



1075 RPM⁽¹⁾ — Three Speed – Reversible Rotation - 6 Pole

MARS NO.	GE NO. 5KCP39	HP	VOLTS	AMPS	CAP. REQ.	DIMENSIONS		BLOWER SIZE
						A	B	
03783 ⁽²⁾	GGP730S	1/4	115	3.7	7.5/370	5.0	4.23	9 in.
03784	FGP731S	1/4	208-230	1.7	5/370	5.0	4.23	9 in.
03785 ⁽²⁾	LGP732S	1/3	115	4.9	7.5/370	5.0	4.98	9 in.
03786	JGP733S	1/3	208-230	2.5	5/370	5.0	4.73	9 in.
03787	PGP734S	1/2	115	7.3	10/370	5.0	5.48	10 in.
03788	NGP735S	1/2	208-230	3.5	7.5/370	5.0	5.23	10 in.
03789 ⁽²⁾	PGP736S	3/4	115	9.1	15/370	5.0	5.48	10 in.
03790 ⁽²⁾	PGP737S	3/4	208-230	4.4	10/370	5.0	5.48	10 in.

(1) Approximately 150RPM differential between speeds depending on fan load (2) 60 Hz only

Ball Bearing Unit Heater Motors

Ball Bearing

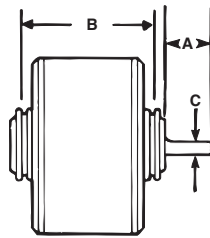
GE 5KCP39 ball bearing motors are designed for unit heater applications. Each motor includes base and capacitor, and also features extended thru bolts. These electrically reversible motors are totally enclosed with a BX connector on the shell and 60 inch leads.

Features:

- Energy Saver®
- Mounting base and capacitor included
- Totally enclosed with BX connector and extended Thru bolts
- 5.0 inch long, 1/2 inch diameter shaft

Specifications:

- Single phase, 60/50 Hertz
- Overload protection
- Fan duty, continuous, air over
- Totally enclosed
- 60 inch leads
- Class A insulation



5KCP39 Double Shaft Motors • Three Speed



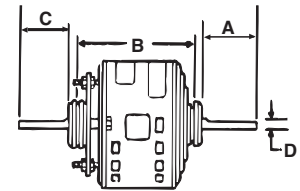
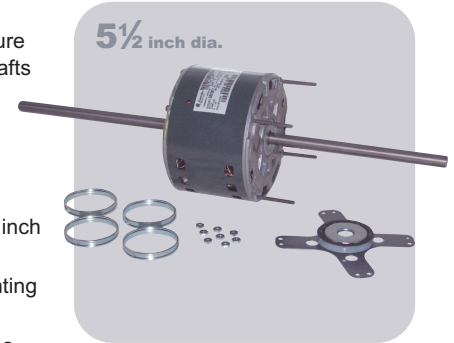
GE 5KCP39 double shaft Energy Saver® motors are designed for a wide variety of air moving applications. All motors feature double 1/2 inch diameter shafts and include length adapter mounting kit.

Features:

- All angle sleeve bearings
- Extended thru bolts, 2.25 inch resilient rings
- Length adapter and mounting kit included
- For accessories see pages M-50 – M-54

Specifications:

- Class A insulation
- Single phase, 60/50 Hertz
- Overload protected
- Open construction
- Fan duty, continuous, air over
- 14 inch leads



1075 RPM – Reversible Rotation - 6 Pole

MARS NO.	GE NO. 5KCP39	HP	VOLTS	AMPS	CAP. (FURNISHED)	DIMENSIONS		
						A	B	C
03206	EGC336T	1/6	115	2.2	5/370	5.0	4.89	1/2
03208	JGC337T	1/4	115	3.3	10/370	5.0	5.14	1/2
03210	HGC338T	1/4	208-230	1.4	7.5/370	5.0	5.14	1/2
03212	NGC339T	1/3	115	4.9	10/370	5.0	6.14	1/2

3-Speed⁽¹⁾ — Energy Saver®

MARS NO.	GE NO. 5KCP39	HP	VOLTS	AMPS	ROT LE	CAP. REQ.	DIMENSIONS				BASE NO.
							A	B	C	D	
1075 RPM - 6 Pole											
03632	CG5823T	1/10	208-230	0.8	CCW	3/370	7.0	4.19-5.44	9.00	1/2	08052
03641	CG5824T	1/8	115	1.8	CCW	5/370	7.0	4.19-5.44	9.00	1/2	08052
03651	DG5826T	1/6	115	2.4	CCW	5/370	7.0	4.44-5.69	8.75	1/2	08053
03652 ⁽²⁾	CG5827T	1/6	208-230	1.0	CCW	5/370	7.0	4.44-5.69	8.75	1/2	08053
03671	GG5828T	1/4	115	3.7	CCW	5/370	8.0	4.69-5.81	7.52	1/2	08054
03672 ⁽²⁾	FG5829T	1/4	208-230	1.7	CCW	5/370	8.0	4.69-5.81	7.52	1/2	08054
03681	LG5830T	1/3	115	5.1	CCW	5/370	7.5	5.38-6.63	7.27	1/2	08057
03682 ⁽²⁾	JG5831T	1/3	208-230	2.5	CCW	5/370	7.5	5.38-6.63	7.27	1/2	08057
03691	PG5081T	1/2	115	7.3	CCW	10/370	7.0	5.75	7.27	1/2	—
03692	NG5082T	1/2	208-230	3.5	CCW	7.5/370	7.0	5.75	7.27	1/2	—
03698	PGA854T	3/4	208-230	5.0	CCW	7.5/370	7.0	5.75	7.27	1/2	—

1625 RPM - 4 Pole

03851	CG9044T	1/6	115	2.0	CCW	5/370	7.0	4.44-5.69	8.77	1/2	08053
03862	CG9047T	1/5	208-230	1.1	CCW	5/370	8.5	4.69-5.81	7.02	1/2	08054
03871	FG9048T	1/4	115	2.9	CCW	5/370	7.0	4.88-6.13	8.27	1/2	08055
03872	EG9049T	1/4	208-230	1.2	CCW	5/370	7.0	4.94-6.19	8.27	1/2	08055
03881	HG9050T	1/3	115	4.1	CCW	5/370	7.0	5.44-6.69	8.27	1/2	08057
03882	HG9051T	1/3	208-230	1.9	CCW	5/370	6.5	5.44-6.69	8.27	1/2	08057
03891	MG5312T	1/2	115	6.4	CCW	5/370	7.0	5.50	7.52	1/2	08058
03892	MG5313T	1/2	208-230	3.0	CCW	5/370	7.0	5.50	7.52	1/2	08058

(1) Approximately 150 RPM differential between speeds depending on fan load

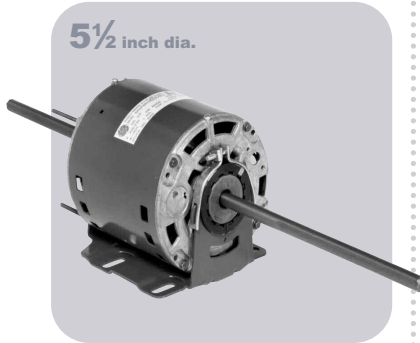
(2) Available without mounting kit-see page M-54

PSC Motors Replace 5KCP32 & 5KCP38



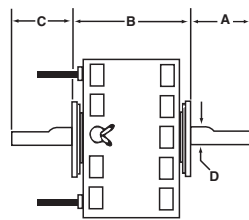
Features:

- Energy Saver®
- Replace GE 5KCP32-38
- All angle sleeve bearings
- Two-speed, 1075/775 RPM(2) double shaft
- Extended thru bolts, base included, plus 4 split rings
- 14 inch leads
- For accessories see pages M-50 – M-54



Specifications:

- Single phase, 60/50 Hertz
- Open construction
- Overload protected
- Fan duty, continuous, air over
- 3 inch shaft height when base mounted



Evergreen IM is the world's first high-efficiency ECM replacement motor that is designed to replace factory PSC blower motors in HVAC systems. Built from the same trusted, field-proven ECM technology that is found in millions of OEM systems nationwide, Evergreen uses up to 25% fewer watts in operating mode and up to 74% fewer Watts than a PSC motor in constant fan.

Evergreen's ECM controls combine thermostat commands with an advanced permanent-magnet design to run more efficiently and quietly while offering better airflow control than a PSC. The Evergreen IM is a great replacement for any PSC air-handler motor, adding up to 1 SEER point to an existing system. The motor's airflow benefits are especially important to homeowners who run (or would like to run) in constant fan mode for better comfort, improved IAQ products, or improved zoning airflow.

Average Annual Energy Savings

- Heat and Cool Operation-**
up to \$60 at 10¢ / kWh
- Constant Fan Operation-**
up to \$268 at 10¢ / kWh

1075/775 RPM⁽¹⁾

MARS NO.	GE NO. 5KCP	HP	VOLTS	AMPS	ROT LE	CAP. REQ.	DIMENSIONS			
							A	B	C	D
03092 ⁽²⁾	39NGD369T	1/2	208-230	3.8	CCW	5/370	8.00	6.46	8.50	1/2

(1) Approximately 300 RPM differential between speeds depending on fan load

(2) 60 Hertz only

5KCP39 PSC Double Shaft Motors

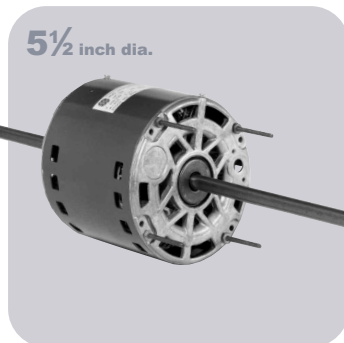


GE Commercial Motors

By Regal-Beloit

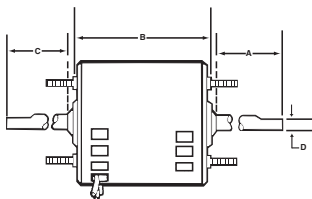
Features:

- All angle sleeve bearings
- 3 speed, 1075/925/775 RPM
- Extended thru bolts
- Base mount using mounting kit 08095 and appropriate base
- Double 1/2 inch diameter shafts
- For accessories see pages M-50 – M-54



Specifications:

- Single phase, 60/50 Hertz
- Overload protected
- Fan duty, continuous, air over
- Open construction
- Requires 5 mfd, 370 volt capacitor (MARS No. 12005)
- 14 inch numbered leads



Applications:

- Direct drive, 115 or 230VAC motor systems
- Clock-wise (CW) or counter clock-wise (CCW) rotation
- Residential split and packaged systems
- Air conditioning or heat pump systems
- Natural gas, propane and oil heat furnaces
- Dual fuel systems
- Hot water coil and geothermal air handlers

Features:

- Two motors cover all applications
- Multi-volt 115/230 and reversible rotation
- Integrated with HVAC system controls/operation
- Four speed selections for heating and cooling
- Optimized constant fan speed
- Two (2) year warranty
- Reduce truck stock, no capacitors to change out or stock
- For accessories see pages M-50 – M-54

600 - 1075 RPM

MARS NO.	MODEL NO.	HP	VOLTS	ROT	MARS PACK
06005	5SME39HXL110	1/5, 1/4, 1/3, 1/2	115/230	REV	1
06010	5SME39SXL111	1/2, 3/4, 1	115/230	REV	1

1075/925/775 RPM⁽¹⁾

MARS NO.	GE NO. 5KCP39	HP	VOLTS	AMPS	RPM ⁽¹⁾	ROT LE	DIMENSIONS				BASE NO. ⁽²⁾
							A	B	C	D	
03656	CGA402T	1/6	208-230	1.0	1075/975/775	CCW	7.50	3.75	8.75	1/2	08053
03686	JGA406T	1/3	208-230	2.5	1075/975/775	CCW	7.75	4.75	7.50	1/2	08057
03696	NGA407T	1/2	208-230	3.5	1075/975/775	CCW	7.50	5.25	7.25	1/2	08060

(1) Approximately 150 RPM differential between speeds depending on fan load

(2) Requires base and 08095 mounting kit

GE TECMate Pro™ Service Tool



The Tecmate Pro™ Service Tool, MARS stock #08500 is the latest advance in ECM technology developed by and for Genteq Motors. The Tecmate allows the service technician to analyze a Genteq ECM motor independently of the HVAC system in which it is installed. The Tecmate can test all the basic settings of a Genteq ECM motor, and can detect and isolate motor failures from HVAC system failures.

Genteq is the leader in ECM motor technology. ECM motor applications are a fast growing segment of the residential and light commercial HVAC market. Genteq's advanced designs in ECM motors are at the forefront of high efficiency equipment design.

Compact

Easy To Use

See Additional ECM Accessories on page 48



MARS NO.	DESCRIPTION
08500	TECMate Pro ECM Motor Tester

Broad Ocean ECM Motor Tester (Digimotor Test Tool)

Save time and money with the Broad Ocean ECM Motor Tester

- Isolates any issues to either the motor or the control board and the control wiring

NOTE: This tool is for Broad Ocean OEM Digi-Motors only. This tool is not compatible with Azure®.

Kit Contents:

- Broad Ocean ECM Tool
- Type A test Connector (Furnaces, AH & Packaged)
- Type B Test Connector (Packaged Units)
- Type C Test Connector (Air Handlers)
- Type D Test Connector (Outdoor Condenser Fan Motors)



MARS NO.	DESCRIPTION	MARS PACK
08503	Broad Ocean ECM Motor Tester	1

760-ECM Motor Speed Controller

The 760-ECM motor speed controller is designed to provide manually adjustable proportional speed control for all sizes and voltages of ECM DC Brushless motors.

Manual speed control is accomplished by adjusting the control pot in the clock-wise direction to increase motor speed. Adjusting the pot in the counter clockwise direction will slow down and eventually stop the motor as the PWM signal is removed.

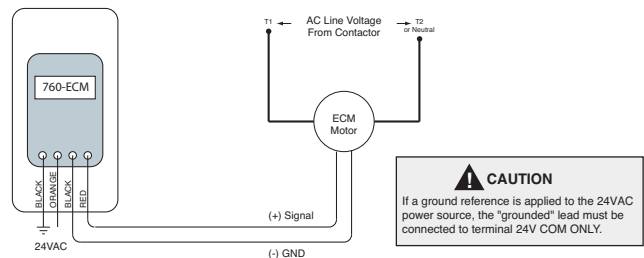
The 760-ECM is line voltage independent and requires only a 24VAC supply. This unit is fully enclosed and can be mounted in standard electrical boxes.

Variable speed control is accomplished via a Pulse Width Modulated (PWM) output signal. The PWM signal operates at a nominal 13.5VDC at 80Hz and is capable of sourcing up to 5mA drive current to drive a single motor.



Specifications:

- Motor speed: Manual adjustable
- Input voltage: 24VAC (+20%/-10%)
- Output: 0% to 100% PWM @ 80 Hz
 - 13.5VDC, 5mA (max.)
 - Max wire length (twisted pair) 100 ft.
- Humidity: 95% non-condensing
- Operating ambient temperature: 32°F - 120°F
- Dimensions (L x W x H): 4.25" x 2.40" x 1.25"



MARS NO.	DESCRIPTION	MARS PACK
08032	ECM Motor Manual Speed Controller	1