

SV2 Mining Tooth System

The SV2 system is available to suit mining-class hydraulic face shovels, excavators, wheel loaders, and electric cable shovels. Cast in premium ESCO alloys, ensures the best balance of hardness and impact resistance to perform in the most demanding applications.



Machine tonnage and fitment size guidelines

| TONNAGE | 85-100 | 100-160 | 160-220 | 220-250 |
|---------|--------|---------|---------|---------|
| SV2 | 65 | 70 | 75 | 85 |

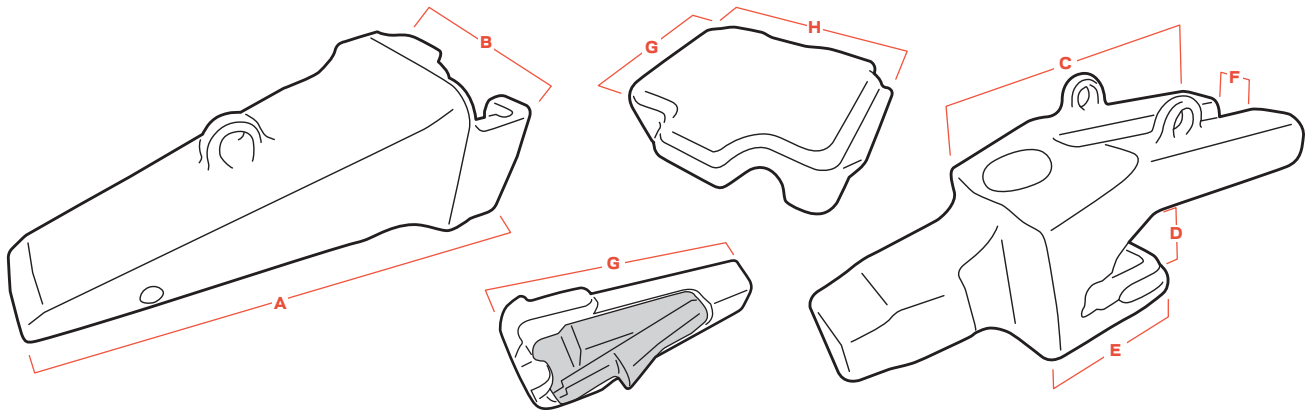
CHISEL

Chisel taper for moderate penetration with excellent strength. Provides a good balance of penetration and wear life.



TIGER / PICK

Pick profile for maximum penetration. Ideal for hard to penetrate material such as shale or in heavy frost conditions.



Teeth

| PRODUCT | PART NUMBER | WEIGHT (KG) | A LENGTH | B WIDTH |
|--------------|-------------|-------------|-------------|------------|
| 65SV2 Chisel | TE-65SV2SD | 30.0 | 389 | 202 |
| 70SV2 Chisel | TE-70SV2SD | 45.0 | 441 | 230 |
| 70SV2 Tiger | TE-70SV2VX | 40.0 | 471 | 230 |

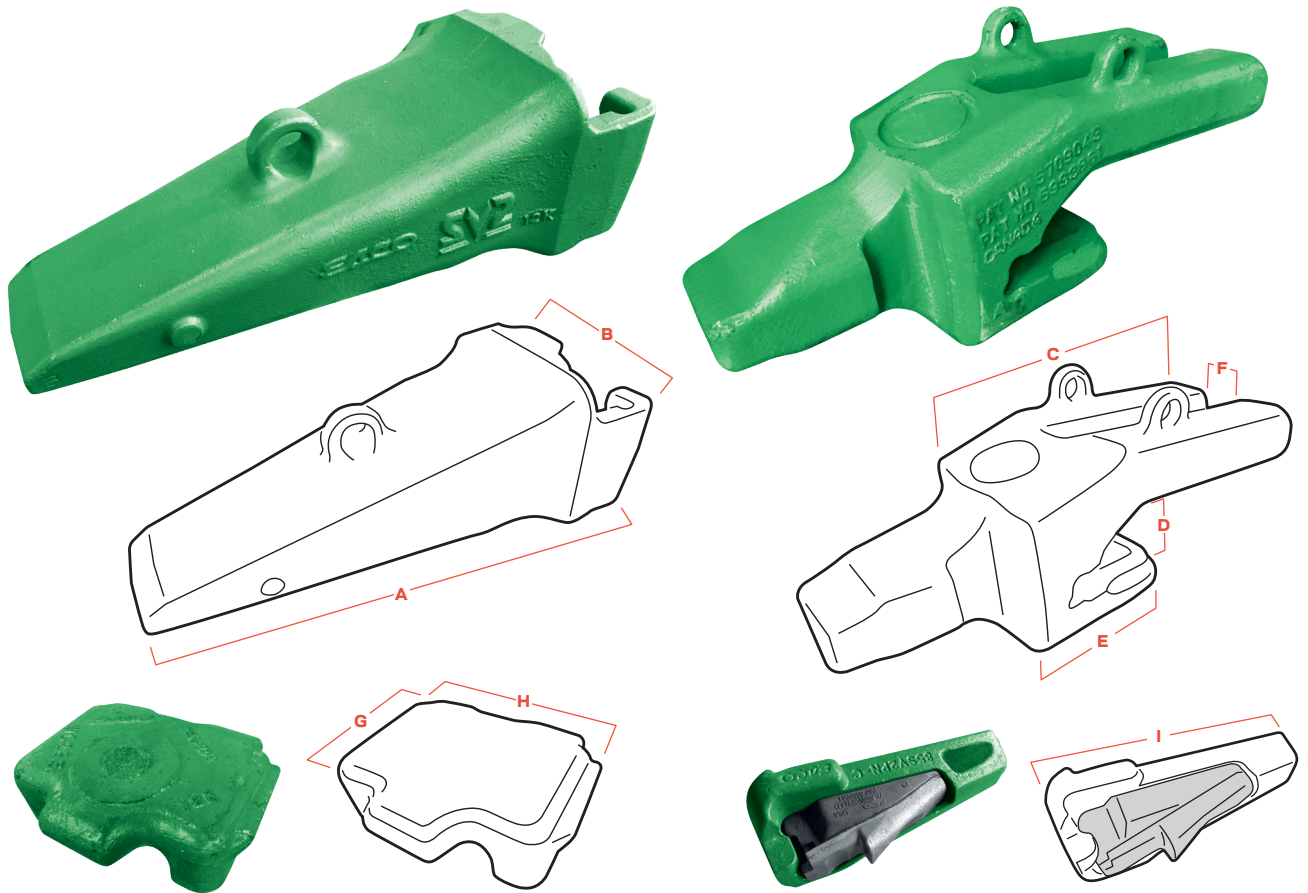
Adapters

| PRODUCT | PART NUMBER | WEIGHT (KG) | BEVEL ° | C TOP LEG | D LIP THICKNESS | E BOTTOM LEG | F LEG OPENING |
|------------------------------|----------------|-------------|---------|--------------|--------------------|-----------------|------------------|
| 65SV2 Adapter | TE-6803W-65SV2 | 62.0 | 30 | 368 | 90 | 221 | - |
| 65SV2 Adapter (Left Corner) | TE-6840L-65SV2 | 78.0 | 30 | 400 | 90 | 184 | 68 |
| 65SV2 Adapter (Right Corner) | TE-6840R-65SVR | 78.0 | 30 | 400 | 90 | 184 | 68 |
| 70SV2 Adapter | TE-5897W-70SV2 | 101.0 | 30 | 447 | 102 | 274 | - |

Wear Caps, Pins & Removal Tools

| PRODUCT | PART NUMBER | WEIGHT (KG) | G LENGTH | H WIDTH |
|-------------------------------|-------------------|-------------|-------------|------------|
| 65SV2 Wear Cap | TE-WC265 | 11.0 | 200 | 249 |
| 70SV2 Wear Cap | TE-WC270 | 11.0 | 200 | 249 |
| 65SV2 Pin | TE-65SV2PN-C | 0.6 | 116 | - |
| 70SV2 Pin | TE-70SV2PN-C | 0.6 | 121 | - |
| 65-70SV2 Install/Removal Tool | TE-65-70SV2PN-RT2 | 2.9 | - | - |

All measurements in millimetres



Teeth

| PRODUCT | PART NUMBER | WEIGHT (KG) | A | B |
|--------------|-------------|-------------|--------|-------|
| | | | LENGTH | WIDTH |
| 75SV2 Chisel | TE-75SV2SD | 62.0 | 462 | 264 |
| 75SV2 Tiger | TE-75SV2VX | 56.0 | 521 | 264 |
| 85SV2 Chisel | TE-85SV2SD | 82.0 | 526 | 285 |
| 85SV2 Tiger | TE-85SV2VX | 76.0 | 579 | 285 |

Adapters

| PRODUCT | PART NUMBER | WEIGHT (KG) | BEVEL ° | C | D | E | F |
|---------------|----------------|-------------|---------|---------|---------------|------------|-------------|
| | | | | TOP LEG | LIP THICKNESS | BOTTOM LEG | LEG OPENING |
| 75SV2 Adapter | TE-5897W-75SV2 | 140 | 30 | 462 | 102 | 277 | - |
| 85SV2 Adapter | TE-6810W-85SV2 | 178 | 30 | 540 | 121 | 329 | - |

Wear Caps, Pins & Removal Tools

| PRODUCT | PART NUMBER | WEIGHT (KG) | G | H |
|-------------------------------|-------------------|-------------|--------|-------|
| | | | LENGTH | WIDTH |
| 75SV2 Wear Cap | TE-WC275 | 16.0 | 224 | 258 |
| 85SV2 Wear Cap | TE-WC285 | 18.0 | 236 | 281 |
| 75SV2 Pin | TE-75SV2PN-C | 0.9 | 136 | - |
| 85SV2 Pin | TE-85SV2PN-C | 1.3 | 152 | - |
| 75-85SV2 Install/Removal Tool | TE-75-85SV2PN-RT2 | 3.5 | - | - |

All measurements in millimetres