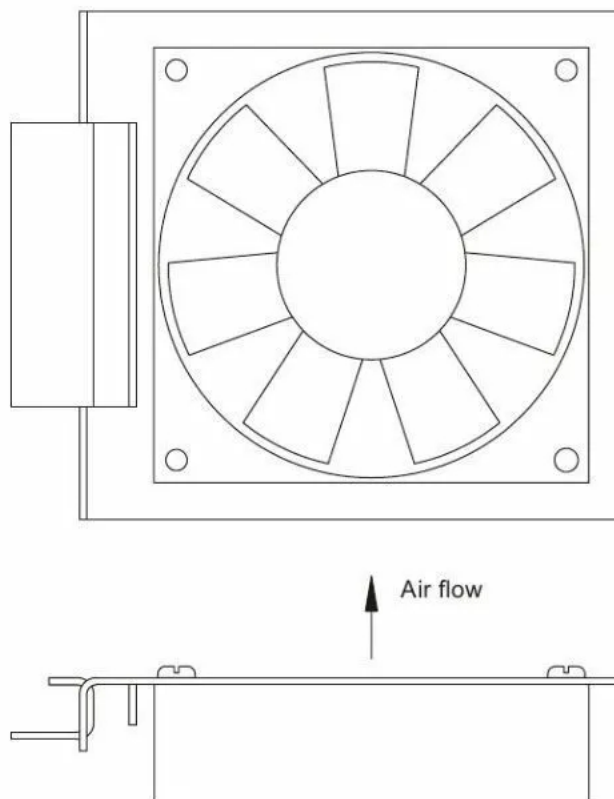


**Module Fan K 9212**

Axial fan module  
for mounting in the subrack

**Installation:** Snap-in mounting on a subrack's profiles

Up to four fans can be assembled side by side. Free spaces are filled up with perforated plates for lateral adjustment (see accessories).

**Application:** Selective ventilation for modules with enhanced power dissipation in all HIMA central subracks (H41q, H51q)

**Electric connection:** To the fan monitoring unit Z 6018

**Accessories:**

Perforated plate 1	107,3 mm	Part no. 605290006
Perforated plate 2	53,3 mm	Part no. 605290007

Material	Chassis: Aluminium
Air flow rate	80 m <sup>3</sup> per hour
Lifetime	70,000 h (at 40 °C)
Operating data	24 VDC / 200 mA
Weight	0.3 kg